

**Vision is
our mission**



**EMERGENCY
VEHICLES
VISION SOLUTIONS**



See more
Work more



3
Why Orlaco

6
Vision solutions

14
Products

31
Certification

Aerial appliance / Ladder trucks	6
Forest fire engine	8
Crashtender	10
Municipal fire truck	12
Ambulance	13
International responder	13



Select
your
vehicle

Why Orlaco?

Welcome to the product catalogue of Orlaco. We are personally committed to bring you the best camera and display solutions to help create safer and more secure workplaces around the world. Our professional team has spent over twenty five years to design and manufacture a variety of certified, reliable and complete camera display solutions eliminating the blind spots around machinery. We are confident that the options offered in this catalogue will not only help you to improve safety, security and efficiency for your fleet of machinery, but also to provide better ergonomics and comfort for your operators. That is what Orlaco stands for. Please feel free to share your ideas and experiences with us.

On behalf of the entire team,
Henrie van Beusekom, Executive Director Orlaco
h.beusekom@orlaco.com



That's
why!

Let us **improve** your every day job



Improved Safety and Efficiency

Enhanced Ergonomics and Comfort

Certified Quality

Emergency vehicles are complex machines that require clear vision which allows the operation to progress smoothly and safely. Especially when an emergency attracts a large audience and or press, maneuvering into a correct position is not an easy task. Drivers have minimal vision around the vehicle. It is essential to solve large blind spots in a professional matter. This is where Orlaco's camera monitor solutions will help to improve operational efficiency and safety. Together with our zoom and/or thermal imaging cameras on the basket, analyzing the overall situation will go much faster and efficient.

A driver of an emergency vehicle is required to follow what is occurring around his vehicle. Frequently he must maneuver into a contorted position. The vehicles are reversing repeatedly. The driver is obliged to turn his body to overview the operation, possibly leading to short or even long term ergonomic injuries. By viewing the Orlaco monitor located on the dashboard, the driver can maintain correct posture and work more comfortably. He feels safe, secure and in control of the vehicles' environment, reducing stress and providing comfort.

Quality always wins. Orlaco focuses on customer satisfaction. This occurs through servicing and consistent manufacturing of high quality products in various custom designed formats. Quality control is a high priority at Orlaco. We are acting on the highest achievable automotive levels within TS16949 certification. By investing in continuous improvement, we aim for long term, satisfied customers. Compatibility in products, systems and operations is a key element to create a reliable partnership. All aspects are documented clearly to achieve a zero-defect and first-time-right operation.



Why Orlaco

Why Orlaco

Emergency sight solutions

Mastcam

MC1000 / MC1100 - PAGE 14



Being able to see the people working in the basket cannot be taken for granted, especially if you are working above or behind high buildings or objects where the basket will be out of sight. With the mast camera, you will always be able to see them. That is a prerequisite for wellcoordinated collaboration and maximum safety.



Cage-cam



CC2000 - PAGE 15

CC1000 - PAGE 14

Aerial appliances or ladder trucks are used to provide the most effective location possible for extinguishing fires. This has one disadvantage: It is difficult to follow operations from the ground. The safe and effective use of the aerial appliance or ladder truck therefore depends on the viewing system. Orlaco can help you get the best possible view using a camera system.



Frontview



FC1000 - PAGE 18

The new EU mirror directive came into force in 2006 and was extended in January 2007. It includes frontview mirrors for all new trucks in Europe. Only an approved camera system may replace the front view mirror. The front camera provides a perfect view of the blind spot in front of the cab. This makes it possible to notice cyclists and pedestrians in time.

Rearview



RC1000 - PAGE 18

The rearview camera helps you get your vehicle into the correct position quickly and safely. Especially when reversing, you enjoy improved visibility. This is more efficient for you and it can improve safety for bystanders. **Recommendation:** Add RadarEye to increase safety & efficiency. (see page 24-25)



Frontview- TIC

FF1000 - PAGE 15



Fighting a forest fire is a tough job. Accessibility is limited and unclear especially when combined with heavy smoke development. Using a thermal imaging camera on a Pan & Tilt unit on the front of the vehicle, together with a rearview camera, helps you to better overcome these obstacles.



Rearview



FF1000 - PAGE 15

Orlaco equips your forest fire engine with a rearview camera. This camera provides you with a view of the area directly behind the vehicle. This allows you to reverse more safely, not only in traffic, but also in forest areas, which are often difficult to access.



Rearview



DEVS SETS - PAGE 16-17

The rearview camera lets you see the area immediately behind the crash tender. This is safer when you are on the way to the location and ideal when you are moving your vehicle into position.



Runway-cam



DEVS SETS - PAGE 16-17

With the camera system recommended by the Federal Aviation Administration (FAA) (AC No: 150/5210-19A), consisting of a thermal imaging camera and a zoom camera on the roof of the vehicle, you can fight fires more effectively as a result of your improved visibility. In addition, you can record these images digitally with the integrated recorder. That can be an important function when analyzing the disaster. This set is also fitted with rearview and sideview cameras.



Sideview



DEVS SETS - PAGE 16-17

Given the dimensions of the crash tender and your position as the driver, adequate visibility is not something you can take for granted. The side cameras give you greater visibility of the areas to the sides of the vehicle.

Information

Crash tenders are large, cumbersome vehicles. An Orlaco camera system is a welcome addition. You can easily combine this with a thermal imaging camera and a zoom camera. These DEVS (Driver's Enhanced Vision Systems) for ARFF (Aircraft Rescue and Fire Fighting) are recommended by the FAA. Two cameras are positioned on the Pan & Tilt unit. The zoom camera, capable of up to 216X zoom, lets you see the

location and brings objects into crystal-clear focus. The thermal imaging camera helps you see through the smoke to localize the seat of the fire. You can view the images from both the zoom and thermal imaging cameras and the side- and rearview cameras on the monitor in the cab.



Rearview



RC1000 - PAGE 18

The rearview camera increases the safety of professional response personnel and bystanders. You can maneuver more easily because you can see the area behind the vehicle. The monitor in the cab automatically switches over to the rearview camera if you select reverse gear.

Recommendation: Add RadarEye to increase safety & efficiency. (see page 24-25)



Frontview



FC1000 - PAGE 18

The new EU mirror directive came into force in 2006 and was extended in January 2007. It includes frontview mirrors for all new trucks in Europe. Only an approved camera system may replace the front view mirror. The front camera provides a perfect view of the blind spot in front of the cab. This makes it possible to notice cyclists and pedestrians in time.



International responder



Combination set

Front- and Rearview
FR1000 - PAGE 19

i INFORMATION

The frontview mirror may be replaced by a front camera provided it meets, among others, the following requirements:

- Mandatory front vision at forward speeds of between 0 and 30km per hour.
- It must be possible to see the class VI field of vision. (2m in front of and 2m across the entire width of the cab)

- The monitor may only display the class VI field of vision at forward speeds of between 0 and 30km per hour.
- The monitor and camera must meet all technical requirements.

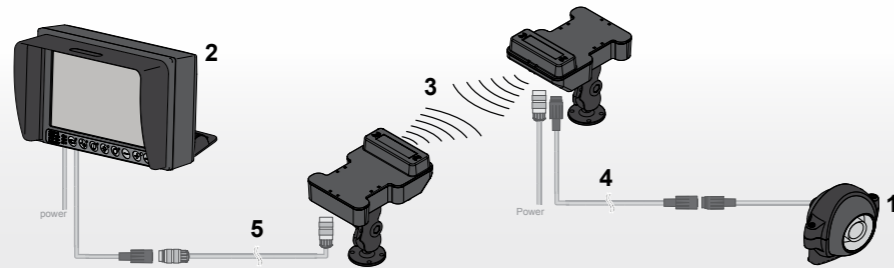
The EG*2003/97*2005/27 directive describes the specifications that a truck's mirrors must comply with. Orlaco's front view system meets all these requirements.

Set **Mastcam MC1000**

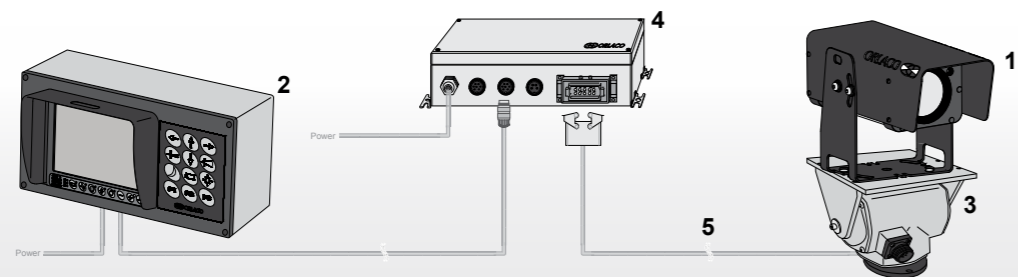
1. Camera AMOS 69°
0135030 - page 20
2. Monitor 7" RLED, including standard bracket
0208652 - page 23
3. Special cable 35m + Connectors

Set **Mastcam Wireless MC1100**

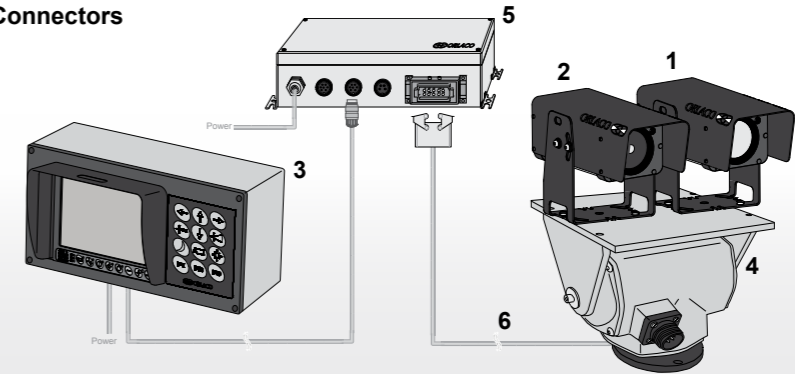
1. Camera AMOS 69°
0135030 - page 20
2. Monitor 7" RLED, including standard bracket
0208652 - page 23
3. Spectrum Scanner LineMax 400
0004091 - page 26
4. Multicable 5m
0301880 - page 22
5. Special cable 15m + Connectors

Set **Cage-cam Zoom PT CC1000**

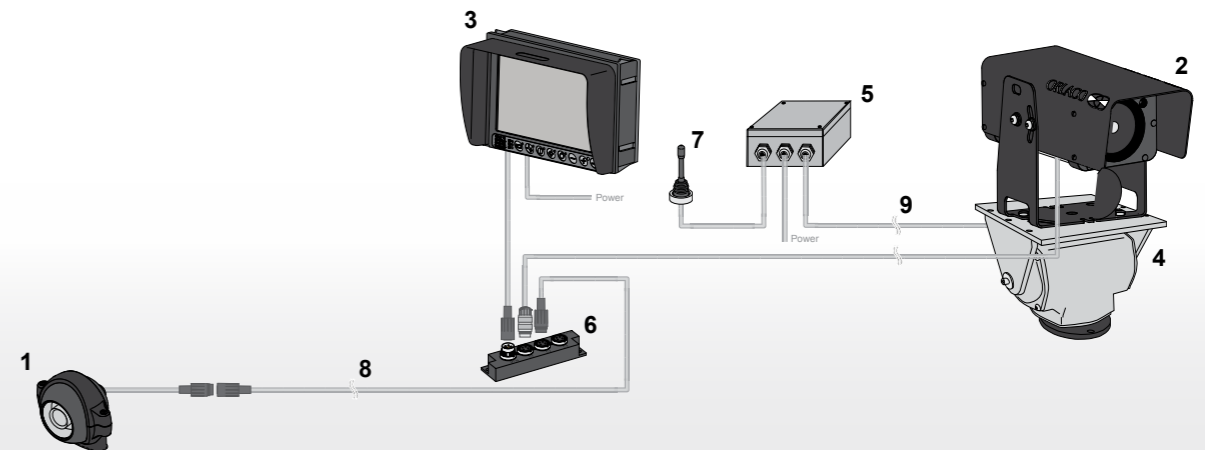
1. AF-Zoom Camera PAL Serial
0103530 - page 21
2. Monitor 7" RLED + Control
0210501 - page 23
3. Pan & Tilt unit 24V/DC
0507060 - page 30
4. Smartbox Stainless steel
0504730 - page 26
5. Special cable 35m + Connectors

Set **Cage-cam Zoom & TIC PT CC2000**

1. AF-Zoom Camera PAL Serial
0103530 - page 21
2. Thermal Imaging Camera TIC 320 9Hz
0103730 - page 21
3. Monitor 7" RLED + Control
0210501 - page 23
4. Pan & Tilt unit 24V/DC
0507060 - page 30
5. Smartbox Stainless steel
0504730 - page 26
6. Special cable 35m + Connectors

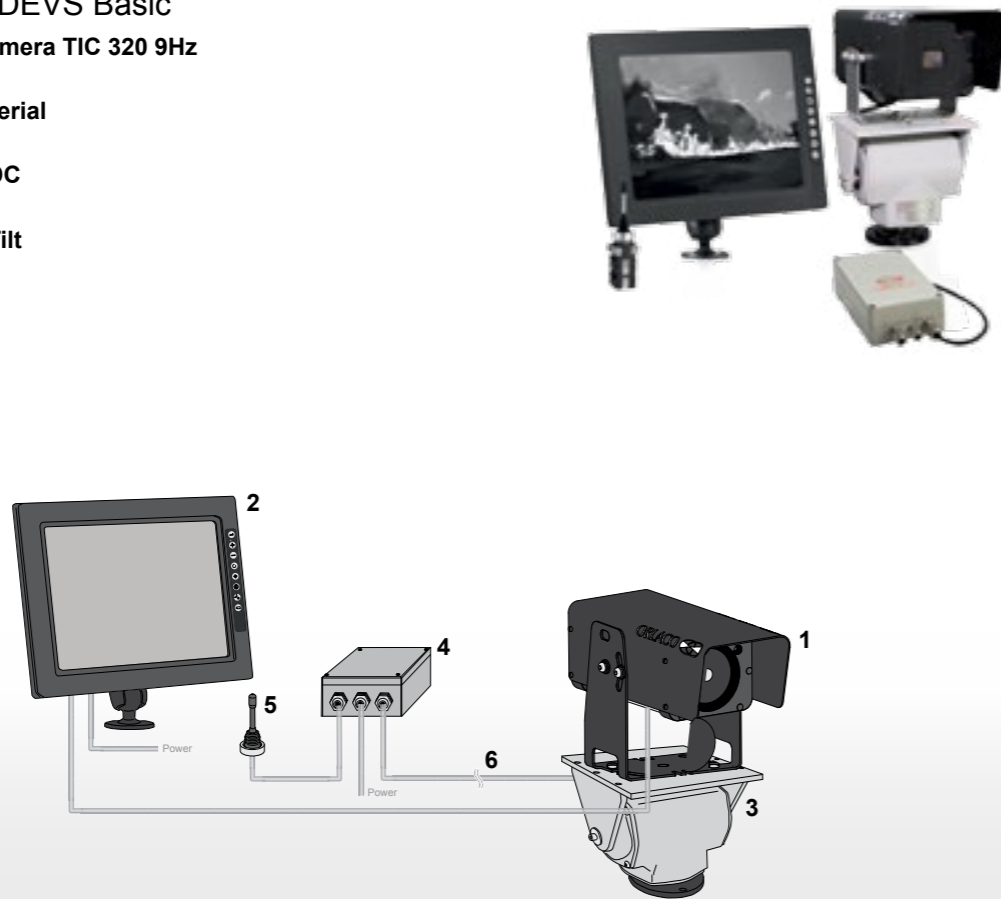
Set **Fire Forest FF1000**

1. Camera AMOS 69°
0135030 - page 20
2. Thermal Imaging Camera TIC 320 9Hz
0103730 - page 21
3. Monitor 7" LEDD serial
0208232 - page 23
4. Pan & Tilt unit 24V/DC
0507060 - page 30
5. Control unit Pan & Tilt
0503500 - page 28
6. Switcher serial
0404060 - page 26
7. Joystick
0506500 - page 29
8. Multicable 16m
0301920 - page 22
9. Special cable set



Set **Crashtender** DEVS Basic

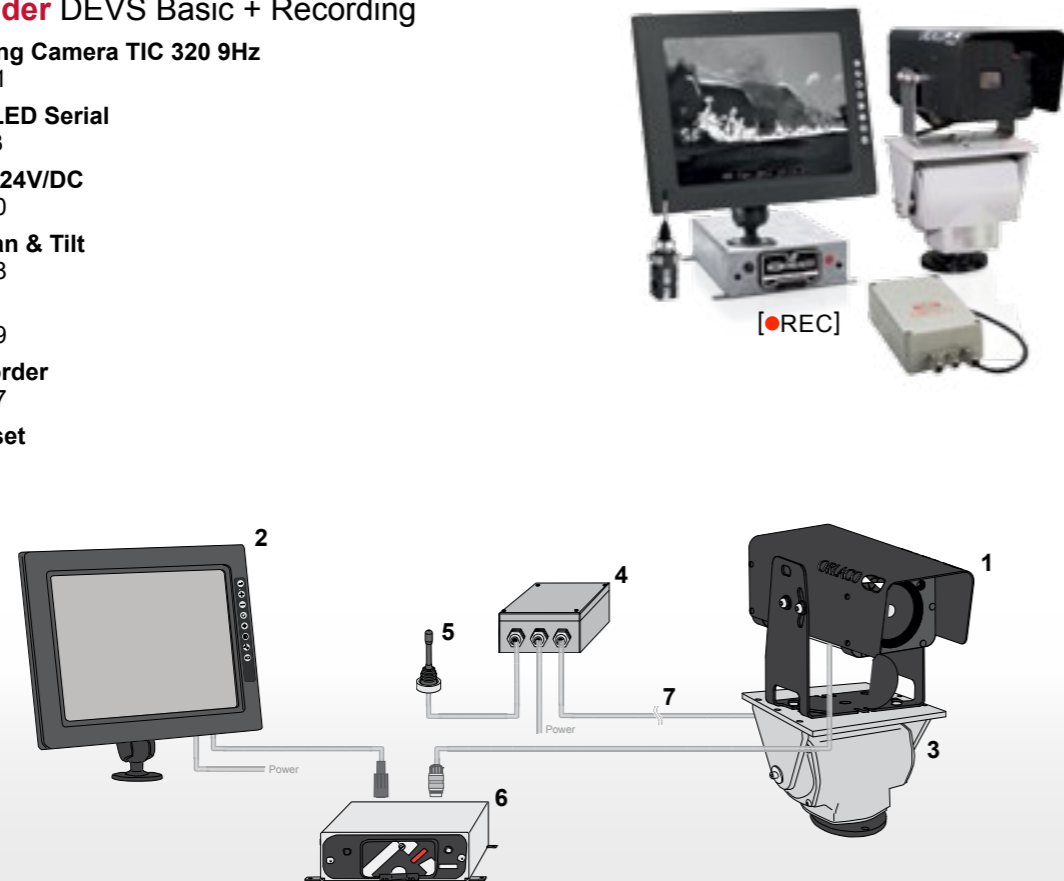
1. Thermal Imaging Camera TIC 320 9Hz
0103730 - page 21
2. Monitor 12" RLED Serial
0411130 - page 23
3. Pan & Tilt unit 24V/DC
0507060 - page 30
4. Control unit Pan & Tilt
0503500 - page 28
5. Joystick
0506500 - page 29
6. Special cable set

Set **Crashtender** DEVS Anti Terrorism

1. AF-Zoom Camera PAL Serial
0103530 - page 21
2. Thermal Imaging Camera TIC 320 9Hz
0103730 - page 21
3. Monitor 12" RLED Serial
0411130 - page 23
4. Pan & Tilt unit 24V/DC
0507060 - page 30
5. Smartbox Stainless steel
0504730 - page 26
6. Keyboard handheld AF
0502610 - page 28
7. Easysolid recorder
0000200 - page 27
8. Special cable set + Connectors

Set **Crashtender** DEVS Basic + Recording

1. Thermal Imaging Camera TIC 320 9Hz
0103730 - page 21
2. Monitor 12" RLED Serial
0411130 - page 23
3. Pan & Tilt unit 24V/DC
0507060 - page 30
4. Control unit Pan & Tilt
0503500 - page 28
5. Joystick
0506500 - page 29
6. Easysolid recorder
0000200 - page 27
7. Special cable set

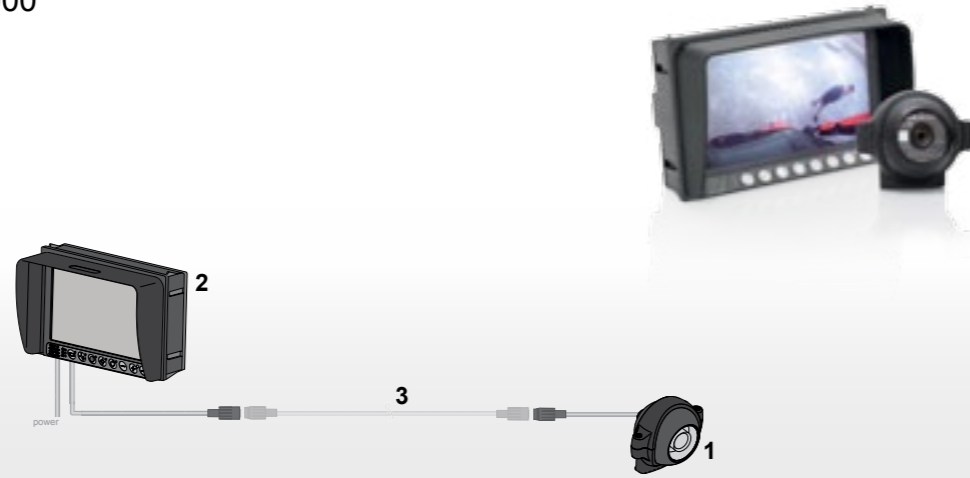
Set **Crashtender** DEVS Safety

1. AF-Zoom Camera PAL Serial
0103530 - page 21
2. Thermal Imaging Camera TIC 320 9Hz
0103730 - page 21
3. Camera AMOS 69°
0135030 - page 20
4. Monitor 12" RLED Serial
0411130 - page 23
5. Pan & Tilt unit 24V/DC
0507060 - page 30
6. Smartbox Stainless steel
0504730 - page 26
7. Keyboard handheld AF
0502610 - page 28
8. Easysolid recorder
0000200 - page 27
9. Multicable 16m
0301920 - page 22
10. Special cable set + Connectors



Set **Frontview** FC1000

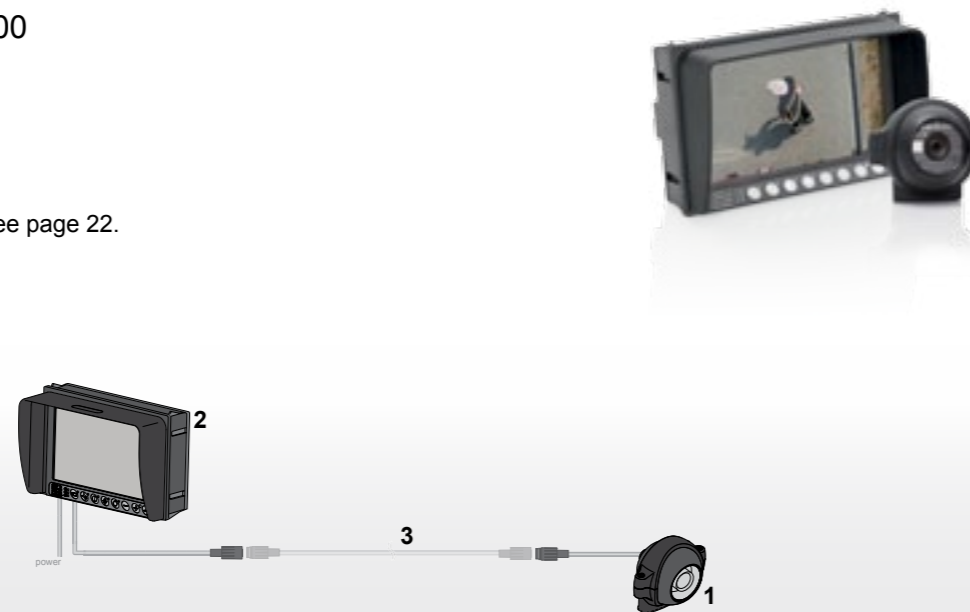
1. Camera AMOS 118°
0135010 - page 20
2. Monitor 7" LEDD
0208203 - page 23
3. Multicable 5m
0301880 - page 22

Set **Frontview with navigation** FC1010

1. Camera AMOS 118°
0135010 - page 20
2. Monitor 7" LEDD
0208203 - page 23
3. Multicable 5m
0301880 - page 22
4. Switcher
0404040 - page 26
5. VCA Navigation
0277010 - page 27

Set **Rearview** RC1000

1. Camera AMOS 102°
0135020 - page 20
2. Monitor 7" LEDD
0208203 - page 23
3. Multicable
To be ordered separately, see page 22.

Set **Rearview with navigation** RC1010

1. Camera AMOS 102°
0135020 - page 20
2. Monitor 7" LEDD
0208203 - page 23
3. Multicable
To be ordered separately, see page 22.
4. Switcher
0404040 - page 26
5. VCA Navigation
0277010 - page 27

Set **Front-Rearview** FR1000

1. Camera AMOS 118° (Frontview)
0135010 - page 20
2. Camera AMOS 102° (Rearview)
0135020 - page 20
3. Monitor 7" LEDD
0208203 - page 23
4. Multicable 5m
0301880 - page 22
5. Multicable
To be ordered separately, see page 22.
6. Switcher
0404040 - page 26

Set **Front-Rearview with navigation** FR1010

1. Camera AMOS 118° (Frontview)
0135010 - page 20
2. Camera AMOS 102° (Rearview)
0135020 - page 20
3. Monitor 7" LEDD
0208203 - page 23
4. Multicable 5m
0301880 - page 22
5. Multicable
To be ordered separately, see page 22.
6. Switcher
0404040 - page 26
7. VCA Navigation
0277010 - page 27



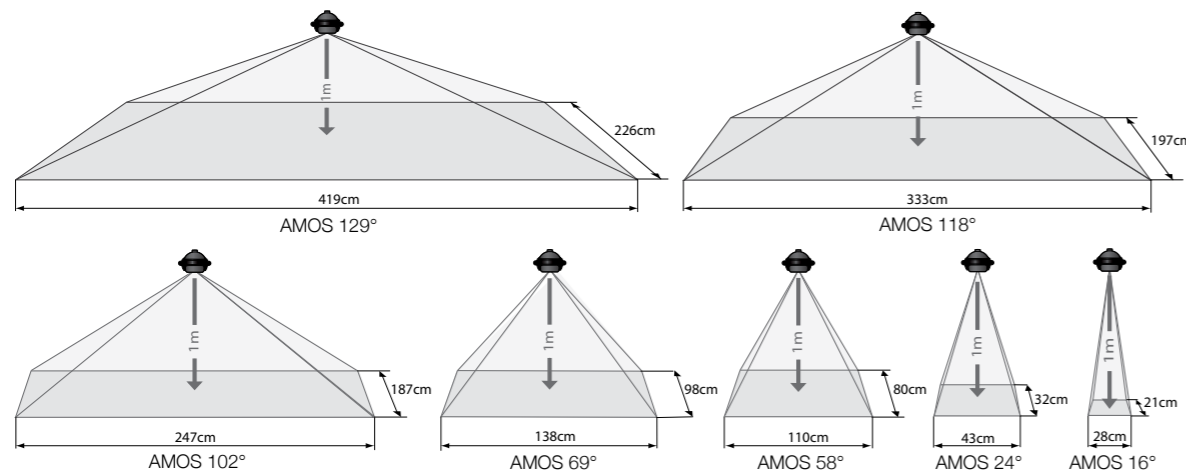
Or design your system yourself

- Step 1:** Select your camera
- Step 2:** Select your desired cable
- Step 3:** Select your monitor
- Step 4:** Select the required options

Whatever you select, the system can be easily installed and is plug-and-play.
Note: For two or more cameras a switcher, 4Cam RLED Monitor or MultiView Box and additional cables are required. Contact us for support.

The qualifications of our AMOS Compact Cameras

- Next generation CMOS sensor
- Light sensitivity 0.05 lux
- Integrated *Safety ticker* to show that camera is running and active
- Operating temperature between -40°C to +85°C
- Chemically hardened glass
- Nitrogen-filled housing, watertight IP69K according to DIN 40050-9
- Heated lens glass, therefore no problems with condensation or frost
- Impact and vibration proof
- Fixed lens
- The camera has a 0,5m cable including a waterproof molded 4p connector
- There is an aperture angle for every vision solution



The measurements given above are theoretical. Practical situations may deviate.



Cameras AMOS

Type	Art. no. PAL	Art. no. NTSC
16°	0135060	0135160
24°	0135050	0135150
58°	0135040	0135140
69°	0135030	0135130
102° MaxView	0135020	0135120
118°	0135010	0135110
118° MIRROR	0135210	0135310
129°	0135000	0135100

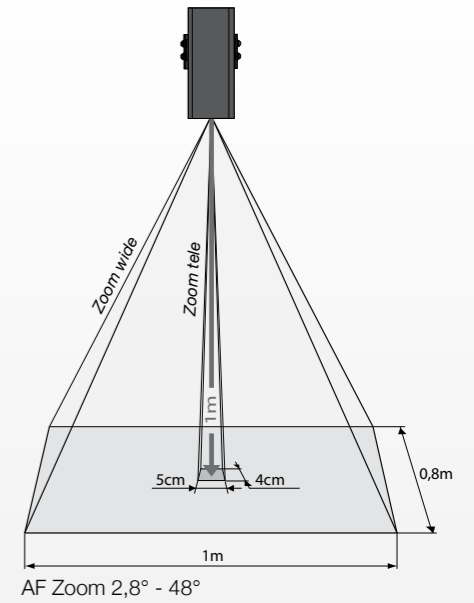
Cameras AMOS IR LED

Day/Night camera including 15 High Power Infrared LEDs 850nm.

Type	Art. no. PAL	Art. no. NTSC
69°	0146200	0146220
118°	0146210	0146230

The qualifications of our zoom cameras

- Operating temperature between -40°C to +85°C
- Built-in brightness function to ensure better visibility on dark areas
- 216x zoom, 2,8° to 48° horizontal opening angle
- Built-in night vision function (0 lux mode)
- Nitrogen-filled housing, 100% watertight (IP 69K)
- Heated lens glass, therefore no problems with condensation or frost
- Shock and vibration resistant



AF-Zoom Cameras

0103530 AF-Zoom Camera Serial

- Including 6m multicable fitted with 7p connector (female)
- Power supply 12V - 24V/DC when cable is <50m
Power supply 18V - 24V/DC when cable is >50m
- 2,6kg
- Dimensions: 260x140x122mm (without bracket)



Thermal Imaging Camera

0103730 TIC-camera 320 9Hz

- Thermal Imager Uncooled VOx microbolometer
- Including 6m multicable fitted with 7p connector (female)
- 25° lens (up to 450m detection)
- Nitrogen-filled housing, 100% waterproof IP69
- Operating temperature between -40°C to +80°C
- 2,6kg
- 12-30V/DC max 8W
- Shock- and vibration resistant
- 2x and 4x zoom



Image with standard camera. (LEDD 7" in forest fire engine)



Image with Thermal Imaging Camera. (LEDD 7" in forest fire engine)

The advantages of Orlaco cables

- All cables are specially developed by Orlaco
- Special cables are available for various circumstances such as severe off-road conditions
- Resistant to oil and petrol
- Watertight cable connectors
- Operating temperature -40°C to +85°C



Multi cable standard

This standard cable can be used if no special requirements like mechanical protection or dynamic movement of the cable is needed.

Including 4p molded connectors:

0301960	1m
0301870	2m
0301890	3m
0301880	5m
0301930	8m
0301900	11m
0301920	16m
0301940	21m

Including 7p connectors (1311201 & 1322401):

0304410	6m
0304400	85m

Cable per metre (connectors not included)

1220150	Multicable 1x coax + 5x wire PVC
1220280	Multicable armored 1x coax, 5x wire
1220350	Multicable 2x coax + 5x wire PUR
1220600	Dynamic cable 1x coax 5x wire PUR
1220900	Power Multicable 7x wire AWG20
1222000	Coaxcable 75 Ohm RG50

Any required connectors can be ordered separately (page 28).

Adapter cables

0304000	Interface cable 4p female - 4p female
0304050	Interface cable 4p male - 4p male
0304210	Interface cable 4p female - 7p male
0304220	Interface cable 4p male - 7p female
0303860	Interface cable 4p female - BNC
0303770	Adapter cable 4p female - Cinch (if OEM monitor is used)



The possibilities offered by Orlaco LED monitors

- Automotive 7inch TFT liquid crystal display module, LED backlight
- Operating temperature between -40°C to +85°C
- Impact and vibration resistance meet the stringent requirements
- Power protected against:
 - Induction voltages
 - Load dumps
 - Over- and undervoltage
- Mirror image setting
- High resolution pixel WVGA 800xRGBx480
- Brightness automatically adjusts to the ambient light
- Option of a marker line per camera on the screen for the optimum determination of distance
- Integrated sun visor
- IP67 according to IEC 60529
- Full On-Screen-Display (OSD) in 12 languages
- Input Voltage 12...60V/DC +/-10%
- Watertight molded connectors

Monitors

0208652 Monitor 7" RLED

- 4m multicable (power) open wired, 4m multicable (video) including 4p female connector
- Standard bracket

0208691 Monitor 7" RLED Serial

- For serial connection (Zoom- or TIC cameras)
- 6m multicable (power) open wired, 6m multicable (video) including 7p female connector
- Standard bracket

0208203 Monitor 7" LEDD

- For double DIN slide opening in the dashboard
- 2m multicable (power) open wired, 2m multicable (video) including 4p female connector

0208232 Monitor 7" LEDD Serial

- For serial connection (Zoom- or TIC cameras)
- For double DIN slide opening in the dashboard
- 6m multicable (power) open wired, 6m multicable (video) including 7p female connector

0210501 Monitor 7" LEDD Serial + Keyboard

- Aluminium/stainless steel housing
- 10p Harting connection

0411000 Monitor 12"

- 4m multicable (power) open wired, 4m multicable (video) including 4p female connector
- User-adjustable 190mm mounting bracket

0411130 Monitor 12" Serial

- For serial connection (Zoom- & TIC cameras or MultiView box)
- 6m multicable (power) open wired, 6m multicable (video) including 7p female connector
- User-adjustable 190mm mounting bracket



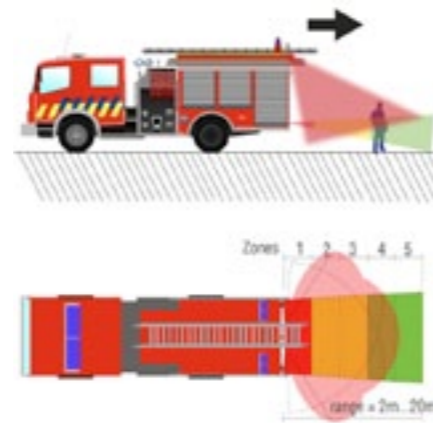
RadarEye unites visibility and active detection



Orlaco has developed this radar unit in addition to the camera- monitor systems. By combining the vision solution with an active signaling system, RadarEye offers additional safety and efficiency.

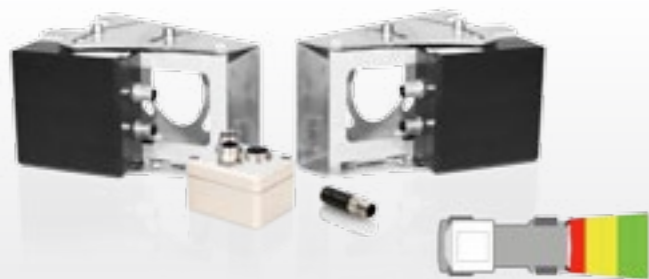
RadarEye is an integrated active view system designed to detect and see objects in zones obscured from the operator's view. The radar system detects stationary as well as moving objects in a designated coverage area. With this view system the operator is actively warned with audible tones that increase in rate as objects come closer. When an object is detected it can be seen on the monitor and the operator can respond immediately. This prevents damage to the operators machine and any other equipment he may reverse into. The radar units have a rugged design, are shockproof, waterproof and is not influenced by the environment, such as snow, rain, mud and or temperature changes.

- RadarEye can be used on various trucks
- RadarEye is capable of visualizing the radar-zones on the display, as soon as a person enters the zone it will activate colored dots (default setting) or a transparent visualization (standard/custom preset settings) to make the driver aware of the potential danger
- 2...20m detection area, divided in 5 equally sizes segments
- Separation distance: 1-4m (configurable)
- Antenna beam horizontal: 70°(typ.), vertical: 11°(typ.)
- Operating temperature between -40°C to +85°C
- Obstacle reaction delay 50ms
- Orlaco CAN bus Radar monitor is required (0208371, 0208871 or 0411300)
- RadarEye can be extended with multiple radar and camera units for all around detection and visibility
- Please contact Orlaco for advice and installation



YouTube

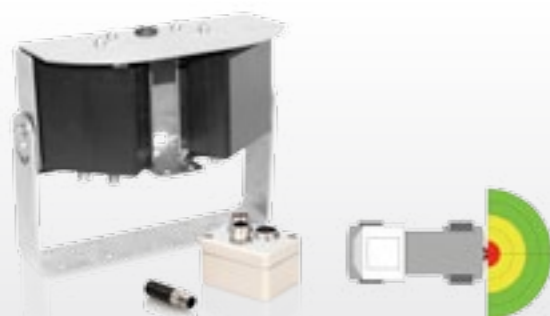
[Check our demo RadarEye videos on the Orlaco YouTube channel.](#)



RadarEye sets

0403120 RadarEye set corner rear
Active Rearview system for corner mounting.

- Including RadarEye units, brackets, interface box and terminator
- Cables, Camera and Monitor are not included

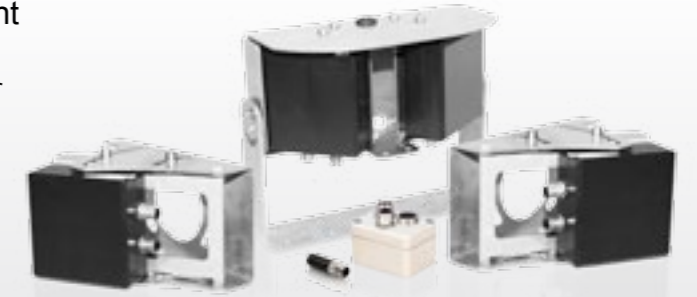


0403100 RadarEye set center rear
Active Rearview system for center mounting.

- Including RadarEye units, bracket, interface box and terminator
- Cables, Camera and Monitor are not included

0403110 RadarEye set center rear and side/front
Active Center Rear and Side/Front view system.

- Including RadarEye units, brackets, interface box and terminator
- Cables, Camera and Monitor are not included



RadarEye Cables

RadarEye Cable M12 Green

Connection cable between RadarEye Interface box and master RadarEye unit or connection cable between slave RadarEye unit and next RadarEye unit.

0301050	5m
0301060	10m
0301070	15m
0301120	20m
0301130	25m
0301140	30m



RadarEye Cable M12 Master-Slave Red

Connection cable between master RadarEye unit and slave RadarEye unit.

0301020	1m
0301030	4m
0301040	8m
0301090	16m



RadarEye parts

0004310 RadarEye unit

Active detect unit for integration in active view system (RadarEye).



0256010 RadarEye Interface box

RadarEye Interface is designed to connect RadarEye units to camera and monitor.



0350110 RadarEye Terminator M12 120 Ohm
120 Ohm resistor for terminating CAN bus.



Switchers

Input and power supply for three cameras and in combination with a Y-split cable: four cameras.

- Cameras can be switched over automatically or manually

0404040 Switcher UNI

- Waterproof IP54 according to IEC 60529
- 4p output for monitor

0404060 Switcher Serial

- Waterproof IP67 according to IEC 60529
- 7p output for monitor
- Only in combination with a Serial monitor
- Possibility to connect 1 serial Orlaco camera (AF Zoom)

0404080 Switcher UNI IP67

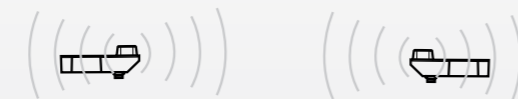
- Waterproof IP67 according to IEC 60529
- 4p output for monitor

Spectrum Scanner wireless video transmitter & receiver

- Including powercable and two adjustable brackets for transmitter and receiver
- 8 video channels
- Full On Screen Display (OSD) functionality for system settings
- Please contact your dealer for further advice

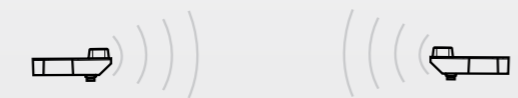
0004061 RoundMax 200

- Omnidirectional antenna with horizontal orientation
- Maximum range 200m (dependent on surroundings)



0004091 LineMax 400

- Directional antenna with vertical orientation
- Maximum range 400m (dependent on surroundings)

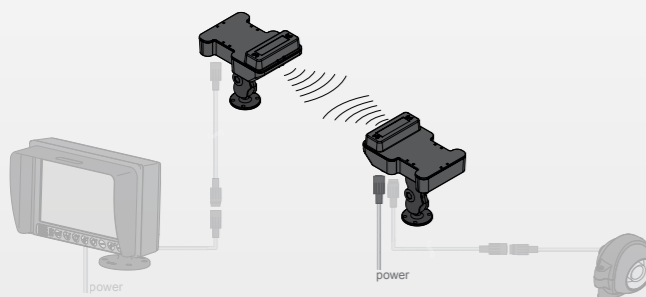


Video control unit

0504730 Orlaco Smartbox

For connect and control the Orlaco AF-Zoom camera, Pan & Tilt and TIC camera.

- IP67
- Stainless steel housing



Digital MPEG2 video recorder

0000200 Easysolid Recorder

- CompactFlash storage
- Compact stainless steel housing
- Video loop function
- 10-36V/DC



- Automatic timestamp
- Including 32GB CF-card for max 72 hours of storage and CF-card reader



Navigation

0277010 VCA Truck Specific Navigation

- Easy to connect on an Orlaco LEDD or RLED monitor
- Internal memory
- European map; SD-card slot for updates
- Including TMC computer, speaker, remote control with touchpad and GPS receiver
- Adjustable parameters: i.a. total weight, axle load, length of vehicle, height of vehicle, dangerous goods



Multiview split

The Multiview box is an advanced video imaging system for up to 4 cameras. There are many possibilities of different split views in 5 selectable video channels.

Through the menu of the Orlaco Serial monitor, the Multiview box can be programmed to show any desired lay-out of views from the connected cameras. Once programmed, the Multiview box will retain these settings even when power is completely disconnected. Different views can be shown on the screen using the standard switching features without the need for further programming.

- Stainless steel housing
- Serial Orlaco Monitor needed (A regular non Serial Orlaco monitor can be connected to the Multiview box via a 7-to-4-pin adapter cable (0304220), please contact your dealer for futher advice)

0404110 MultiView box

- 4 camera inputs (4x Compact Camera)

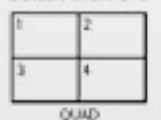
0404120 MultiView box

- 4 camera inputs (3x Compact Camera 1x AF-Zoom Camera)

Preset view options for channel 1-4:



Default channel 5:





Connectors

1310841 Connector 4p female Gold
• Recommended for multicable

1312001 Connector 4p male Gold
• Recommended for multicable

1310850 Connector 4p female PG9 Gold
• Recommended for dynamic and armored cable

1312050 Connector 4p male PG9 Gold
• Recommended for dynamic and armored cable

1311201 Connector 7p female Gold
• Recommended for multicable

1322401 Connector 7p male Gold
• Recommended for multicable

1311250 Connector 7p female PG9 Gold
• Recommended for dynamic and armored cable

1322450 Connector 7p male PG9 Gold
• Recommended for dynamic and armored cable

0357010 Bulkhead connector

- 4p
- Suitable for lead-through on bodywork

Cable disconnection sets

0351070 7p

0351130 13p

- Watertight
- With caps

0351100 10p harting

- Watertight
- With caps

Control

0503500 Control unit Pan & Tilt
Power supply and control for Pan & Tilt unit (0507060).

- Joystick (0506500) is required
- Power input 24V/DC
- Aluminium housing

0502610 Handheld control AF (serial)
For activating of the Pan & Tilt / AF-Zoom / TIC camera.

- Zoom function
- Including 5m power supply cable



0502620 Control panel mount

Built-in keyboard for activating of the Pan & Tilt / AF-Zoom / TIC camera.

- Joystick (0506500) are not included
- Power input 24V/DC
- Dimensions: 140x116x80mm

0506500 Joystick

- Built-in
- Operating temperature between -30°C to +75°C
- IP40
- Telemanique



Interconnection cables

0304020 Cab cable

- 1 x coax + 5 x wire PVC Ex
- Including 4p molded male connector & 10p harting female
- Operating temperature between -40°C to +85°C

0303630 Spiral interconnection

3,5m spiral cable between tyre carrier and adjustable bumper.

- Oil and petrol resistant
- With double coax
- Including 10p harting plugs

0303740 Cable trailer

- 25m multicable
- Including 4p molded female connector
- Including 10p harting male



Video distributor

0407000 Orlaco video distributor

For connecting a second and third Orlaco monitor.

- 12V/DC
- Cables and connectors are not included



Power supply

0004600 Power supply 9-36V

- Maximum cable length 200m
- Power input 9-36V/DC
- Power output 12V/DC

0270500 Uni Power Interface

To connect three Orlaco cameras to third party monitors (in combination with a UNI switcher), for instance navigation and fleet management systems.

- Including 0,5m power cable and 1m cable between UNI switcher and interface





Mounting means

- 0402320 Protective cover**
Cover specially designed for the Compact Camera.
- Stainless steel housing



- Camera extension brackets**
Specially designed for the Compact Camera. Matches the hole pattern of the Compact Camera bracket.
- Stainless steel

0402250 Camera extension 155mm

0402270 Camera extension 250mm



- 0401270 Camera bracket**
Compact bracket specially designed for the Compact Camera.
- Cap can be resprayed in the color of the vehicle
 - Including mounting kit
 - Compact Camera is not included



- 0403310 Shock-absorbers for Compact Camera**
In situations where shock absorption plays a major role, we recommend that the specially developed shock absorbers are used when installing the Compact Camera.



- 0403400 Magnet Bracket Compact Camera**
For quick mounting of Compact Camera on steel profiles.



- 0507060 Pan & Tilt max 6kg**
- IP68
 - Aluminium housing
 - 24V/DC
 - Weight 2,3kg
 - Pan speed 30° per sec, tilt speed 10° per sec



- Monitor assembly holders**
For assembly of the Monitor 7" LEDD.
- ABS + aluminium

0400610 Monitor mounting bracket

0400600 Monitor mounting bracket flexible



- 2015500 Adjustable mounting bracket**
• Length 132mm

- 2015600 Adjustable mounting bracket**
• Length 190mm

ISO Certifications

All Orlaco products are manufactured according to the latest Quality Management System Standards:

- ISO/TS 16949 : 2009**
ISO 9001 : 2008

All Orlaco products are manufactured according to the latest Environmental Management System Standard:

ISO 14001 : 2004

Type-Approval Certifications

Regulation 10 and 46 are used to determine the Type-Approval for **EMC** and **Indirect Vision** (Mirror Directive). **R46** describes the specifications that a truck's mirrors must comply with. Orlaco Frontview systems meets all these requirements. **R10** describes the **EMC** behaviour of the Orlaco Camera- monitor systems.

TÜV Automotive Certifications

The European Agreement concerning the International Carriage of Dangerous Goods by Road (**ADR**) demands additional equipment. Orlaco Camera- monitor systems and connection cables comply with these regulations.

Compliance

Our Camera- monitor systems are produced entirely in line with the **CE-marking** and the most recent applicable directives and products standards (e.g. **EMC**, **Machinery**, **R&TTE**). Orlaco products are compliant with **RoHS** and **REACH**.





Orlaco Products B.V.

■ Albert Plesmanstraat 42
 PO box 193
 3770 AD Barneveld
 The Netherlands

■ Phone +31 (0) 342 404 555
 ■ info@orlaco.com
 ■ www.orlaco.com

dealer:



[Check our website for all our catalogs \(pdf\).](#)



It is Orlaco's viewpoint that optimal vision around every vehicle and vessel should be the norm. It provides safety, less damage, comfort and efficiency. *Vision is our mission.* A revealing mission. We develop professional vision solutions for every situation:



HEAVY EQUIPMENT



ON ROAD TRUCKS



CRANES



FORKLIFTS



MARITIME



EMERGENCY VEHICLES

